

The World's Most Trusted Industrial Torque and Tension Systems

# STEALTH™ SERIES

Dual Piston, Limited Clearance Hydraulic Torque Wrench



- Secure Click-in Hex Links without Pins or Screws
- Patented Dual Piston System for Fast Operation
- Upgradeable for use with HYTORC Tensioning Systems
- Slim, Light-Weight, Super-Alloy Design to Fit on All Applications
- Uniswivel technology for free movement and positioning of tool and hoses
- Available with Square Drive Conversion Link for use with hex and allen sockets



**24 Hour SERVICE**

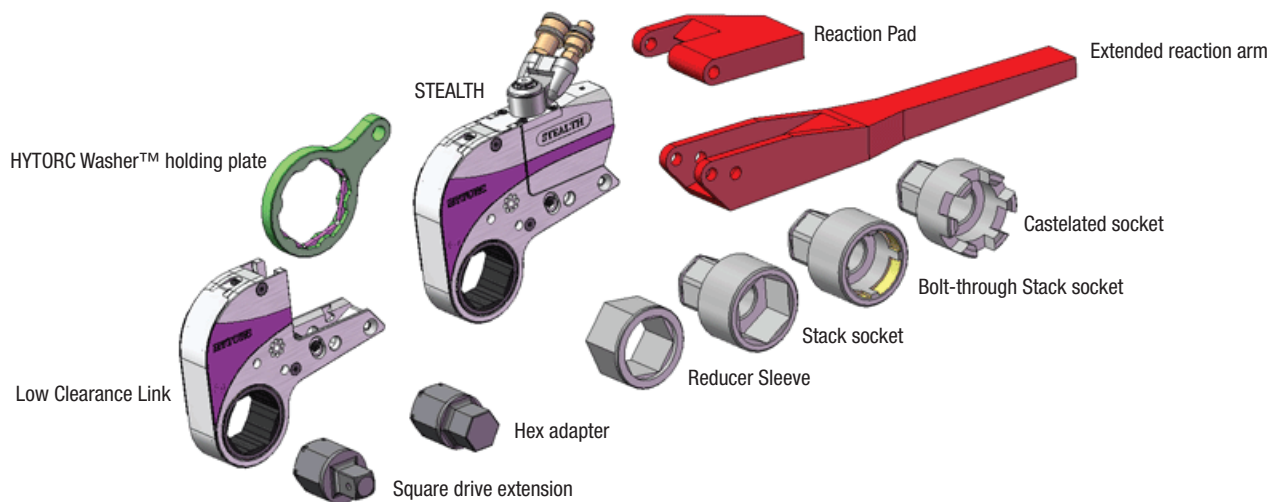
**800-FOR-HYTORC**

[www.hytorc.com](http://www.hytorc.com)

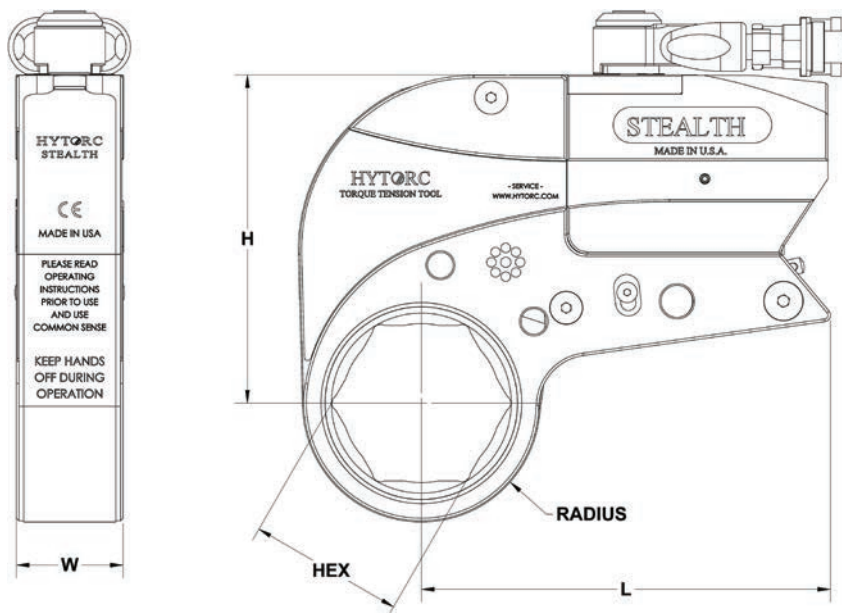
**HYTORC®**  
Since 1968

333 RT. 17 N. MAHWAH, NJ 07430

## ACCESSORIES



## DIMENSIONAL DATA



Model	L	H	W	Stud	Radius	Bolt Load	Bolt Load
				From/To	From/To	(Min)	(Max)
				Inches/mm		Ft. Lbs./Nm	
ST-2	5.53/140.5	4.21/106.9	1.25/31.8	3/4 to 1-3/8 / 19 to 35	1.03 to 1.76 / 26.1 to 44.6	24,345/33,007	162,300/220,046
ST-4	6.58/167.1	5.43/138.0	1.66/42.2	1-3/8 to 1-3/4 / 35 to 44	1.32 to 2.32 / 33.6 to 58.9	41,355/56,069	275,700/373,794
ST-8	8.00/203.2	6.40/162.6	2.10/53.3	1-3/4 to 2-1/2 / 44 to 64	1.77 to 2.89 / 44.88 to 73.4	56,955/77,220	379,700/514,797
ST-14	9.35/237.4	7.94/201.7	2.50/63.5	2 to 2-3/4 / 50 to 70	2.33 to 3.47 / 59.2 to 88.2	87,900/119,175	586,000/794,499
ST-22	10.80/274.3	9.18/233.2	2.91/73.9	2-3/4 to 3-3/4 / 70 to 95	2.62 to 3.87 / 66.6 to 98.4	104,070/141,098	693,800/940,654
ST-36	12.71/322.8	10.78/274.6	3.41/86.6	3-3/4 to 5-0 / 95 to 127	3.07 to 5.46 / 77.9 to 138.6	126,435/171,421	842,900/1,142,804