



**The low clearance wrench system from HYTORC<sup>®</sup>**  
*The only tool with a dual piston system*



Compact, ergonomic design and torque output of up to 48,000 Nm.

Power head and ratchet link of the same height.

All low clearance cassettes are designed for the full torque power of the tool.

Hydraulic dual-piston system for higher working speed.

Hydraulic hose connection rotatable by 360° and can be folded by 120° over the rotation axis.

Safety screw and plug coupling for high output.

Drive pawl system for a constant rotating angle.

Exchangeable ratchet links with a hex or 12-point adapter.

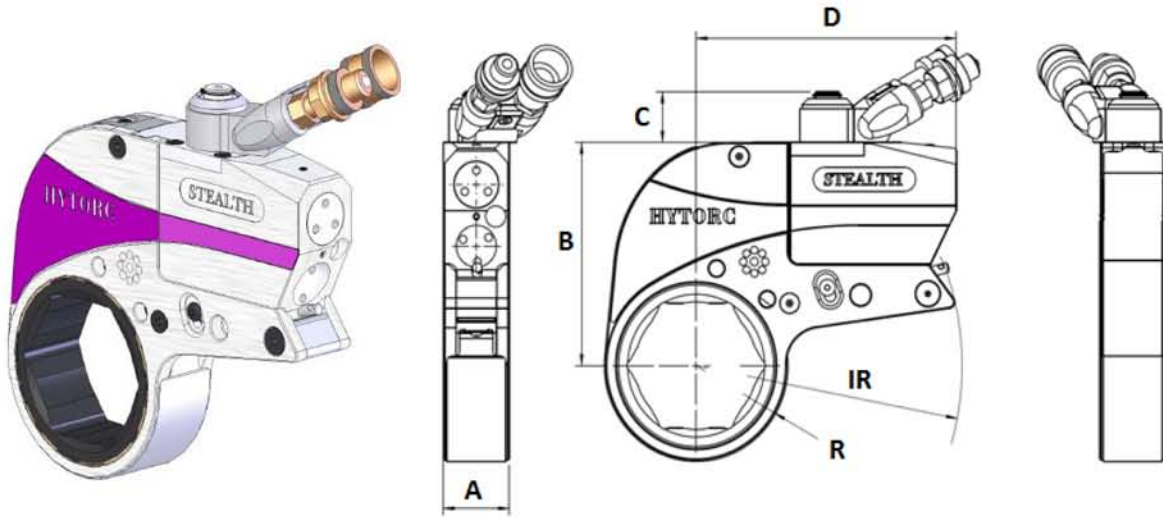
All wrench widths are available in metric or inch dimensions, also for all special variants.

Universal and pre-fitted for use with DISC™, CLAMP™, SmartDISK™ and SmartSTUD™.

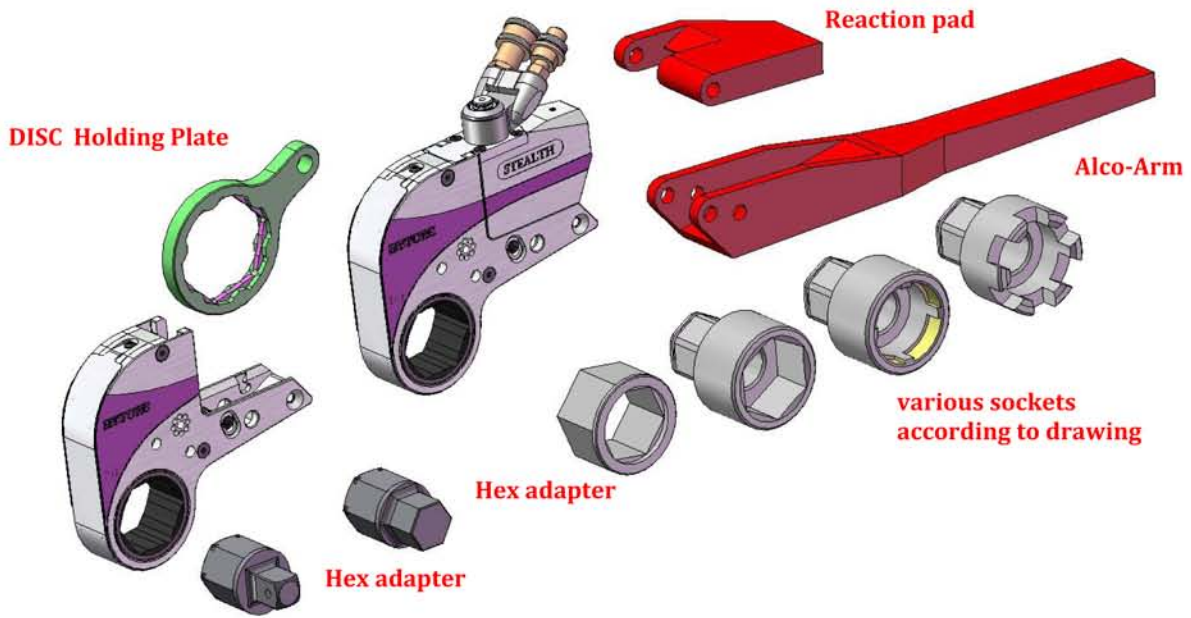
The STEALTH™ torque tensioners represent the newest generation of hydraulic ratchet link tools from HYTORC®, which can be used for ALL assembly procedures according to the VDI 2230 standard. A calibrated pressure-torque chart is sufficient for the use of all standard ratchet links in a single model series.

The quick exchange of ratchet links assures the best fit for a large spectrum of bolt connections. All STEALTH™ TorcTensioners can be used for torque-controlled and torque & angle controlled bolting procedures.

In combination with a variety of hydraulic pump units, the STEALTH™ can also be used for yield-point controlled bolting procedures. All of this is available with an uninterrupted documentation of all bolting processes.



HYTORC	Wrench width from - to (mm)	Space Requirement IR <sup>3</sup> (mm)	Width A (mm)	Height B (mm)	Height <sup>3</sup> C (mm)	Length D (mm)
ST-2 CTS	17 - 60	143.4	31.8	106.9	30.5	142.2
ST-4 CTS	36 - 80	171.3	42.2	137.9	31.5	167.6
ST-8 CTS	50 - 100	207.8	52.8	162.6	31.5	202.2
ST-14 CTS	70 - 120	245.5	63.5	201.7	31.5	241.3
ST-22 CTS	75 - 155	283.5	73.4	233.2	31.5	279.9
ST-36 CTS	90 - 200	326.4	86.1	273.8	31.5	321.6



## Head radius of ratchet links

SW	ST-2 CTS	ST-4 CTS	ST-8 CTS	ST-14 CTS	ST-22 CTS	ST-36 CTS
19	25.40					
22	25.40					
24	25.40					
27	25.40	33.02				
30	27.43	33.02	44.20			
32	27.43	33.02	44.20			
36	29.97	33.02	44.20			
41	32.77	35.81	44.20	58.42		
46	35.56	38.61	44.20	58.42		
50	39.21	41.40	44.20	58.42	64.52	
55	41.15	44.20	46.99	58.42	64.52	
60	43.94	46.99	49.78	58.42	64.52	
65	48.01	49.78	52.58	58.42	64.52	75.69
70		52.58	55.37	58.42	64.52	75.69
75		55.37	58.42	61.21	64.52	75.69
80		58.42	61.21	64.26	67.31	75.69
85			64.26	67.31	73.15	75.69
90			67.06	69.85	73.15	75.69
95			70.10	73.15	78.99	81.53
100			42.90	75.69	78.99	81.53
105				78.74	84.84	87.38
110				81.53	84.84	87.38
115				87.38	90.42	93.22
120				87.38	90.42	93.22
125					96.01	98.81
130					100.33	102.87
135					100.33	102.87
140					105.92	108.46
145					105.92	108.46
150					111.13	114.05
155					114.01	114.05
160						119.80
165						122.69
170						125.58
175						128.46
180						131.35
185						134.24
190						137.13
195						140.01
200						142.90

All dimensions in MILLIMETERS.

If not indicated to the contrary, all ratchet links are designed for full torque.

Typical applications



LIEBHERR slewing tower crane ST-8



ST-14 TwinTorc - bolt attachment without support arm



STEALTH ::: conventional bolting procedures, without support and with DISC™ und CLAMP™

